

SFS

Concealed fixing solution **TUF-S**



Complementary concealed fixing solutions
designed for use with HPL or fibre cement panels



Easy

- No complex undercut hole necessary - simple standard hole sufficient
- No special tools to install necessary
- Holes can be drilled even on site
- Quick and easy installation with the GESIPA Powerbird® Pro

Secure

- No overtorquing of the TUF-S
- High pullout values with the installed thread
- No unwinding
- Uninstallation via hex head possible
- Approved fastening system with the existing ETA assessment ETA-15/0476



50% less installation time

The TUF-S blind fastener from SFS is superior to previous approaches to the attachment of HPL or fibre cement cladding panels with regards installation and long-term security.

Installation can be performed quickly and securely by one person, without using special tools. Installation time can also be reduced by up to 50% compared with conventional blind attachments. The TUF-S blind fastener can be removed once if required.

Optimum security

In addition to an easy and timesaving installation, the TUF-S is a secure solution. The fastener cannot be over-driven during installation. Due to its radial expansion when the mandrel is removed, the partially cut thread becomes wedged in the panel material, generating very high pullout values.

Unwinding due to expansion or vibration is impossible. The sleeve is made of austenitic stainless steel (material DIN 1.4401, grade A4).

Our technical advisers will be pleased to provide you with detailed information. Just give us a call.

Important note

- Correct preparation of the panel for installation of the bracket with the TUF-S is essential and should only be carried out by a competent person, off site fabrication methods are proven to minimise panel damages and contribute to a successful installation.
 - Please read the TUF-S installation guide for further details
 - Do not drill deeper than that shown in the table taking into account any tolerance, panel face damage can occur.
 - HSS drill bits have a life expectancy of 10 - 100 holes in fibre cement and 100 - 150 holes in HPL
 - VHM drill bits have a life expectancy of 200 - 500 holes in fibre cement and 500+ holes in HPL
-

Correct product selection

The following table provides the panels tested with the TUx-S range and information on the products/ accessories to be used, for further information please contact SFS or the panel producer.

Panel producer	Panel name	TUx-S tested	Panel thickness	Embedment required	Drill depth	Drill	Mat no.
Cembrit	Solid	TUF-S	8mm	5.5mm	5.5mm	VHM-6,0x40.5	1586737
	Patina	TUF-S	8mm	5.5mm	5.5mm	VHM-6,0x40.5	1586737
Etex Group	Equitone Linea	TUF-S	8mm	5.5mm	5.5mm	VHM-6,0x40.5	1586737
	Equitone Materia	TUF-S	8mm	5.5mm	5.5mm	VHM-6,0x40.5	1586737
	Equitone Natura	TUF-S	8mm	5.5mm	5.5mm	VHM-6,0x40.5	1586737
		TUF-S	12mm	8.5mm	8.5mm	VHM-6,0x43.5	1615078
	Equitone Pictura	TUF-S	8mm	5.5mm	5.5mm	VHM-6,0x40.5	1586737
		TUF-S	12mm	8.5mm	8.5mm	VHM-6,0x43.5	1615078
Equitone Tectiva	TUF-S	8mm	5.5mm	5.5mm	VHM-6,0x40.5	1586737	
Fundermax	M.look	TUF-S	9mm	6mm	6mm	VHM-6,0x41	1615072
Rockpanel	FSXtra	TU-S	11mm	8mm	8.5mm	VHM-6,0x43.5	1615078
	FSXtreme	TU-S	10mm	7mm	7.5mm	VHM-6,0x42.5	1615075
Rieder	Oeko Skin	TUC-S	13mm	10mm	10mm	VHM-6,0x45	1479984
SVK	Puro +8	TUF-S	8mm	5.5mm	5.5mm	VHM-6,0x40.5	1586737
	Colormat 8	TUF-S	8mm	5.5mm	5.5mm	VHM-6,0x40.5	1586737
Swisspearl		TUF-S	8mm	5.5mm	5.5mm	VHM-6,0x40.5	1586737
		TUF-S	12mm	9mm	9mm	*HSS-6,0x80	921688
Trespa		TUF-S	8mm	5mm	5mm	VHM-6,0x40	1615070
		TUF-S	10mm	7mm	7mm	VHM-6,0x42	1615074
Valcan	Ceramapanel	TUF-S	8mm	5.5mm	5.5mm	VHM-6,0x40.5	1586737
		TUF-S	12mm	8.5mm	8.5mm	VHM-6,0x43.5	1615078

Selecting the right TUx-S depends on the hanger bracket thickness, achieving the correct embedment depth is essential to achieve the required technical values.

To calculate the correct fixing length for the application:

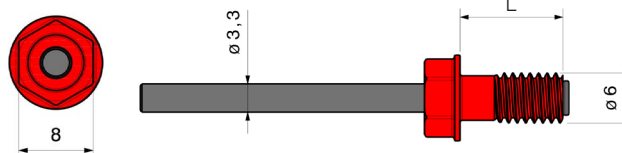
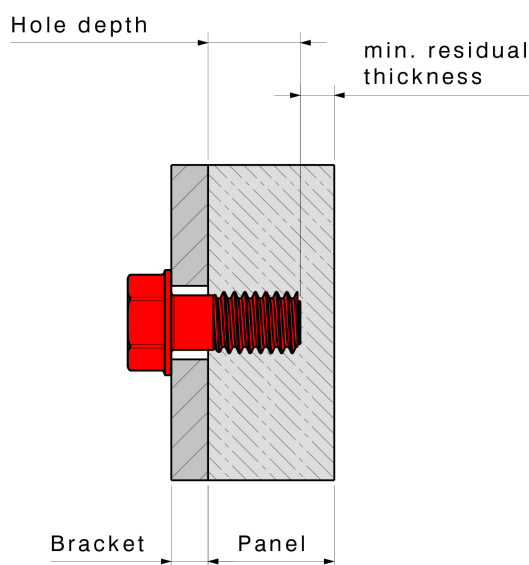
$$\text{TUx-S length} = \text{Embedment depth} + \text{Bracket Thickness}$$

All drill bits use the Universal Depth locator - 1478567

Except where * is shown use the adjustable depth locator - 921688

Available lengths of TUx-S range:

TUF-S-6xL-A4	TU-S-6xL-A4	TUC-S-6xL-A4
7		
7,5		
8		
8,5		
9	9	
10		
11	11	
12		
13	13	
		14



TUx-S range

TU-S for HPL panels



TUC-S for fibre concrete panels

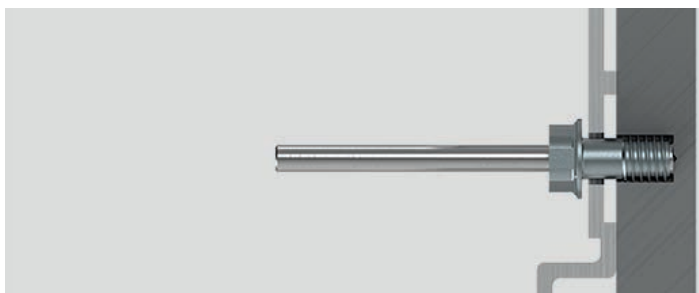


Installation

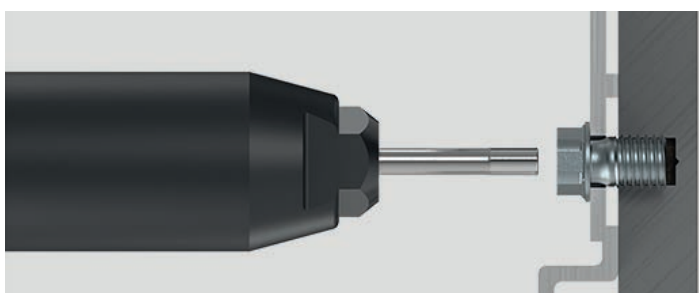
1. Pilot drilling in the HPL or fibre cement panel with the 6 mm dia. HSS blind hole drill with depth stop



2. Position the pre-drilled bracket over the hole in the panel and push through the TUF-S blind fastener



3. Remove the mandrel completely with the riveting tool GESIPA PowerBird® Pro, use nosepiece 17/36 or 17/40



Accessories

Setting tool GESIPA PowerBird® Pro



Screw gun



6 mm HSS drill bit with depth stop

